

CM4 Media

A Very Think 4K Ultra HD Streaming Media Computer

EDA TECHNOLOGY CO.,LTD



Highlight

- ◆ Powerful performance with Quad-core CPU, up to 8GB RAM and SSD support
- ◆ Dual Displays with 4K output
- ◆ Premium audio with stereo speakers, MEMS microphone integrated and Headphone Jack support
- ◆ Fast networking with Gig-Ethernet, Dual-band WiFi, Bluetooth and optional 4G LTE
- ◆ Compact, beautiful, silent and energy-efficient



Introduction

CM4 Media is a multimedia computer designed based on Raspberry Pi Compute Module 4. It provides 2 channels of USB3.0, 1 channel of USB2.0, 1 channel of Gigabit Ethernet interface, 2 channels of HDMI interface supporting 4K video output, 8 megapixel camera and 2 channels of stereo speakers. You can play Audio and video without additional accessories.

You only need to press the power button to start or shut down the computer like operating a Windows computer. The operating system can be installed on the SSD hard disk and it boot faster than from SD card. The large-capacity SSD hard disk can store various video data. The access speed of SSD hard disk is up to 300MB/S.

CM4 Media installed Raspberry Pi certified external WiFi and Bluetooth dual-band antennas to provide better wireless signals.

You can load different application software to turn the CM4 Media multimedia computer into a network set-top box, network storage server, wireless access point and other different devices.

CM4 Media's case is made by CNC-cut aluminum alloy, very beautiful. The case provides excellent heat dissipation performance for the CPU, PMU and wireless module, which improves the system reliability. You can choose black, silver and pink color.

Pink



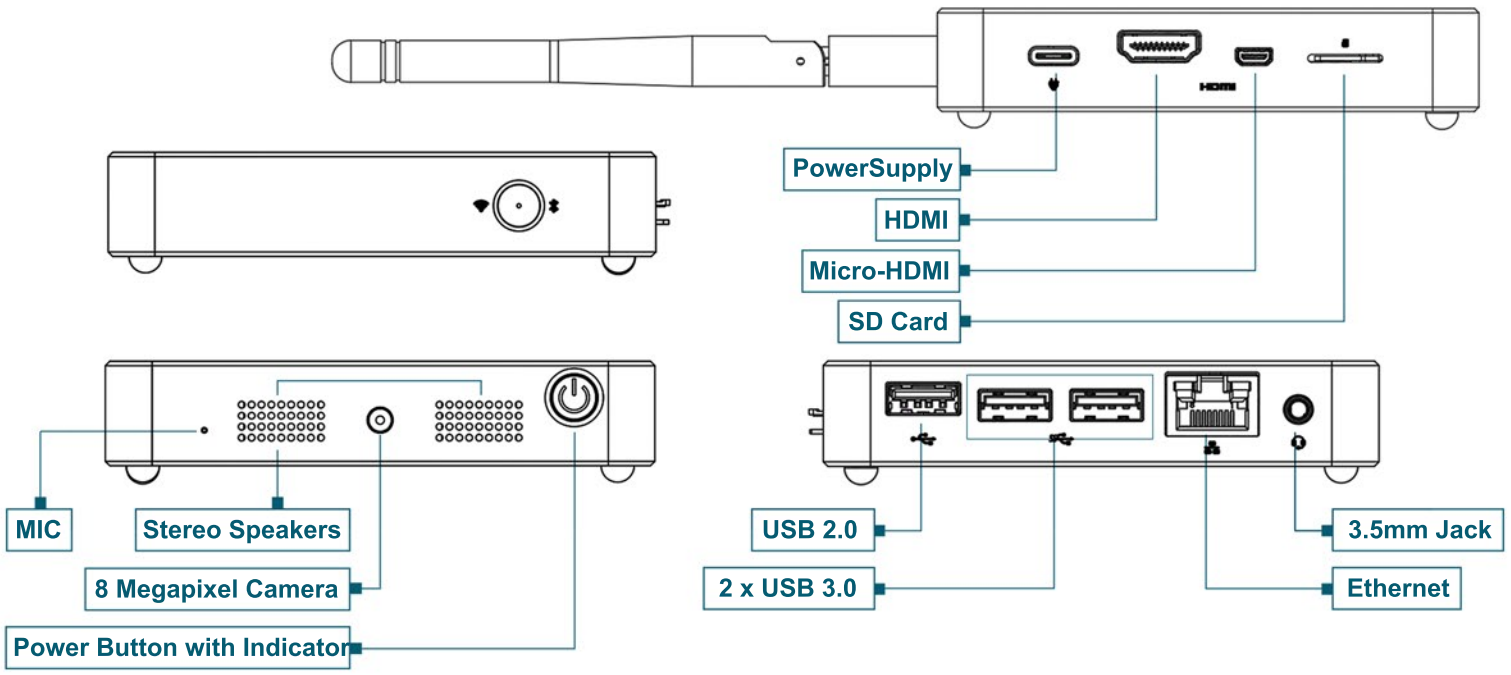
Silver



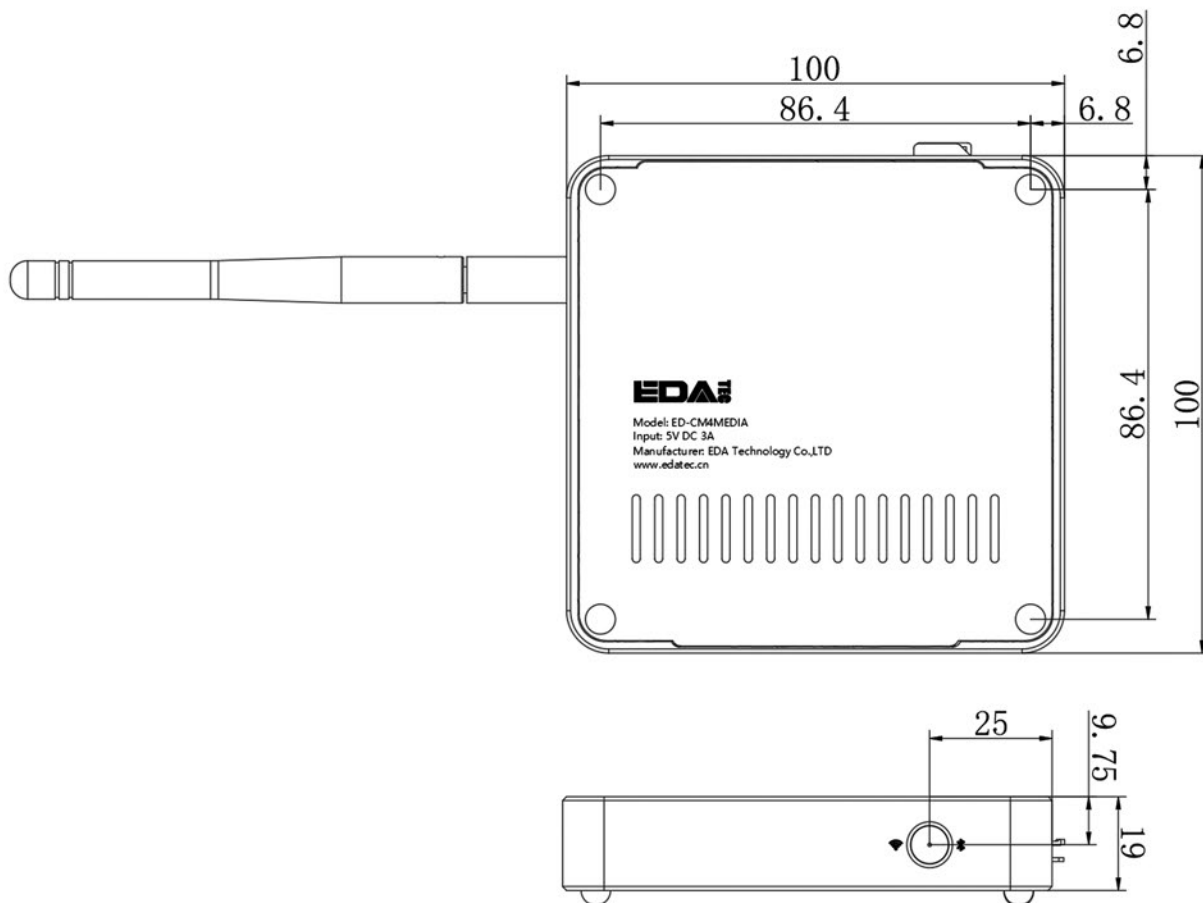
Specifications

Category	Feature
Processor	Broadcom BCM2711 quad-core Cortex-A72 (ARM v8) 64-bit SoC @ 1.5GHz H.265 (HEVC) (up to 4Kp60 decode), H.264 (up to 1080p60 decode, 1080p30 encode) OpenGL ES 3.1, Vulkan 1.0
RAM	1GB / 2GB / 4GB / 8GB LPDDR4-3200 SDRAM
Storage	Onboard 0GB / 8GB / 16GB / 32GB eMMC 1x microSD Card Slot for system boot when choosing 0GB(CM4 Lite) eMMC Optional SSD Hard Disk Drive, support system boot (Capacity can be from 120GB ~ 1TB)
Display	1x standard HDMI Out (Type A) 1x micro HDMI Out (Type D)
Camera	Optional Onboard SONY IMX219 8-megapixel Camera
Audio	Built-in WM8960 Low power, High Quality Stereo CODEC Onboard 2 channel 1W Stereo Speakers Onboard 1 channel MEMS microphone Support headphone jack and external microphone
Wired Interface	1x Gig-Ethernet (10/100/1000M) 2x USB 3.0 Type-A 1x USB 2.0 Type-A
Wireless	Optional 2.4 GHz, 5.0 GHz IEEE 802.11 b/g/n/ac wireless and Bluetooth 5.0, BLE with external antenna Optional 4G LTE (non-SSD Hard Disk version), 1x micro-SIM card slot
System	1x RTC with CR1220 backup
Expansion Interface	1x mini PCIe with 5Gb/s SATA and USB 2.0, compatible with 4G LTE Module and mSATA SSD Drive
Power In	5V/3A DC USB Type-C
Buttons	1x Power button with Blue indicator
Indicator	1x Power Indicator integrated in Power button 1x Status Indicator with Green LED
Operating Temperature Range	-25 ~ 60°C
Operating Humidity	10% - 60%
Case	Aluminum Alloy Case, 1 Antenna Holes
Dimension	100(L) x 100(W) x 19(H) mm
Mounting Options	Desktop
OS	Pre-installed with 32-bit Raspberry Pi OS with Desktop in eMMC or SSD Compatible with Origin Raspberry Pi OS, support 32-bit and 64-bit OS, support Lite and Desktop versions Support BSP online install / upgrade with APT tool

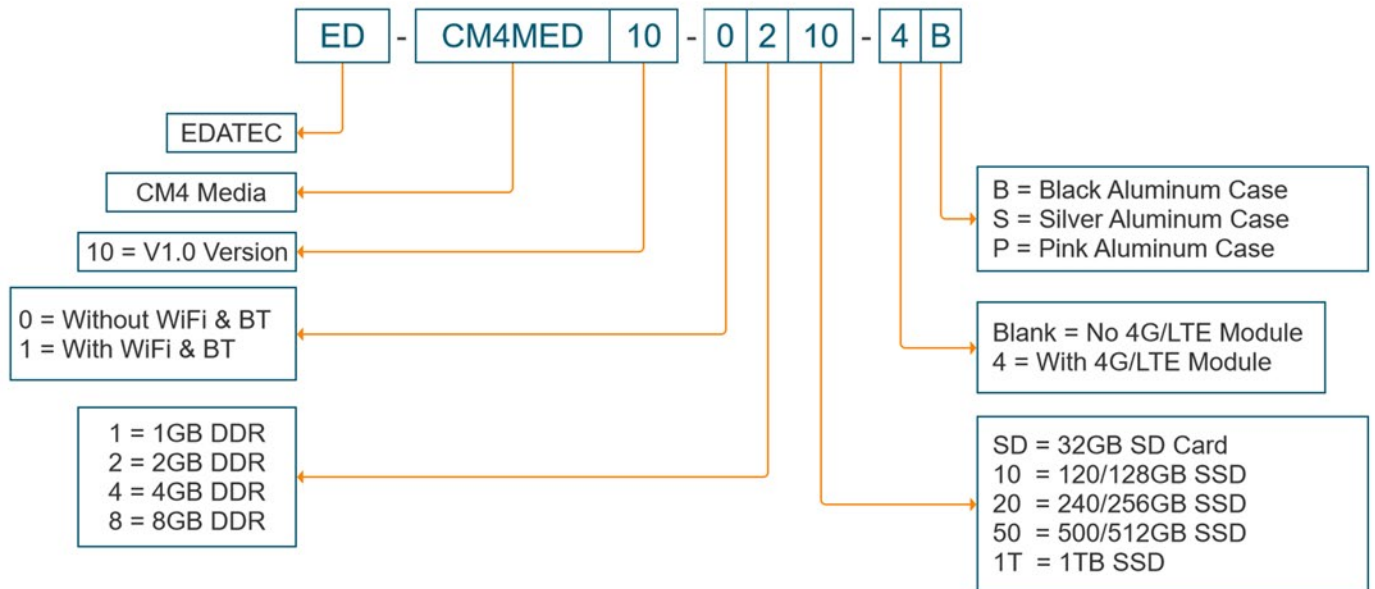
Interface Diagram



Dimension Unit:mm



Order Information



Example

Part#: ED-CM4MED10-1820-P

Configuration: CM4 Media Computer V1.0 version
 1pcs Raspberry Pi certified WiFi/Bluetooth Antenna
 8GB DDR,240/256GB SSD,WiFi & Bluetooth
 Pink Aluminum Case

Contact Information

If you have any technical problems, please contact:

Support:support@edatec.cn

Business related, such as Quotation, Product Customization, please contact:

Sales:sales@edatec.cn

Web:www.edatec.cn

E-mail:sales@edatec.cn

Tel / Mobile / Fax:+86 - 18621560183

Address:Room 301, Building 24, No. 1661, Jialuo Road, Jiading District, Shanghai.

