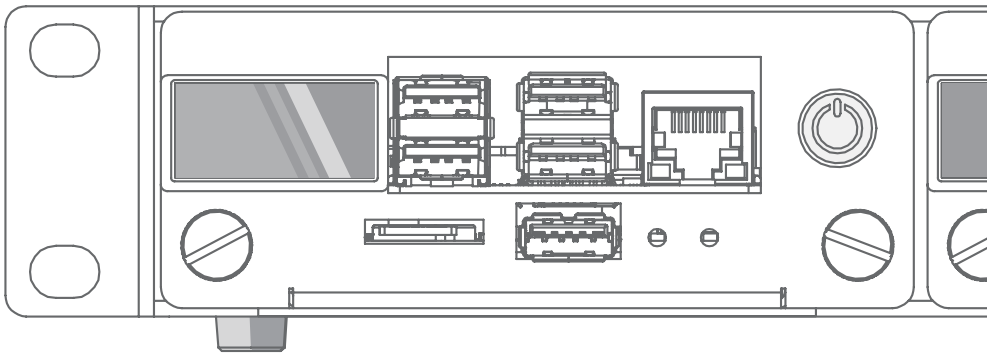


UCTRONICS

ASSEMBLY

www.uctronics.com **RACK MOUNT SERIES**

GUIDE



SKU: RM0004

RM0004-0.96" LCD USAGE

1. Enable i2c 1 and set the speed

```
sudo nano /boot/config.txt
```

Add the following command to `/boot/config.txt` file:

```
dtoverlay=i2c_arm=on,i2c_arm_baudrate=400000
```

Save and exit.

2. Add the shutdown function

Press the power button and then configure the following script to use the safe shutdown function.

```
sudo nano /boot/config.txt
```

Add the following command to the `/boot/config.txt` file:

```
dtoverlay=gpio-shutdown,gpio_pin=4,active_low=1,gpio_pull=up
```

Save and exit, then reboot:

```
sudo reboot
```

3. Configure manual start script

Clone SKU_RM0004 library

```
git clone https://github.com/UCTRONICS/SKU_RM0004.git
```

Compile

```
cd SKU_RM0004
```

```
make
```

Run

```
./display
```

4. Then Add automatic start script

Open the `rc.local` file

```
sudo nano /etc/rc.local
```

Add command to the `fi` of the `rc.local` file

```
cd /home/pi/SKU_RM0004
```

```
make clean
```

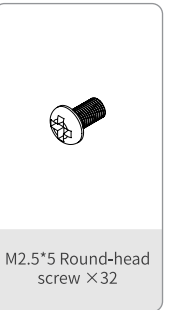
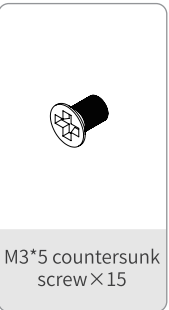
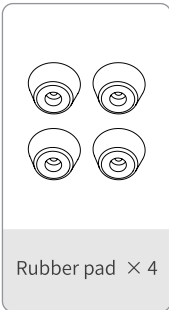
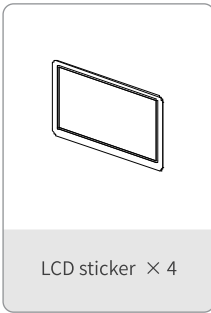
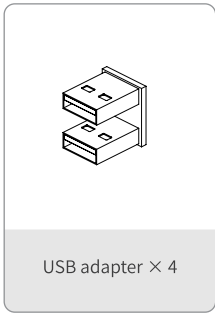
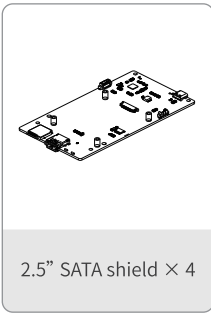
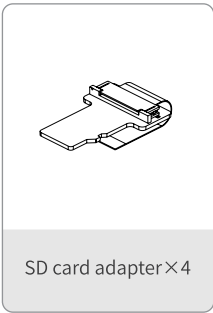
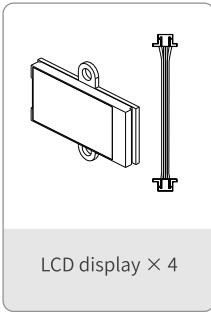
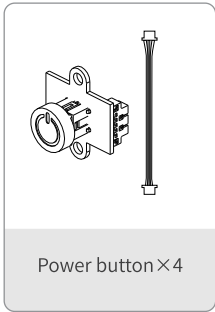
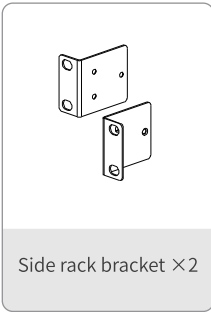
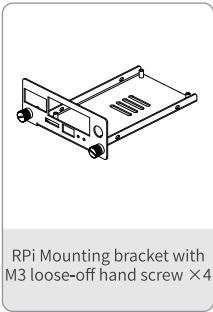
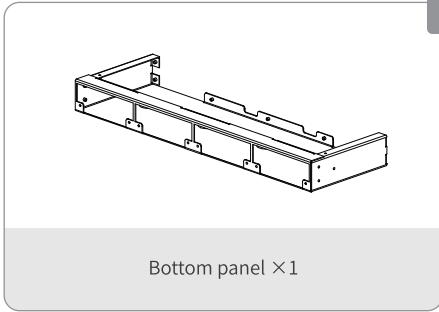
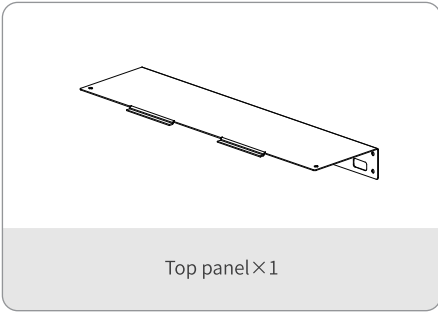
```
make
```

```
./display &
```

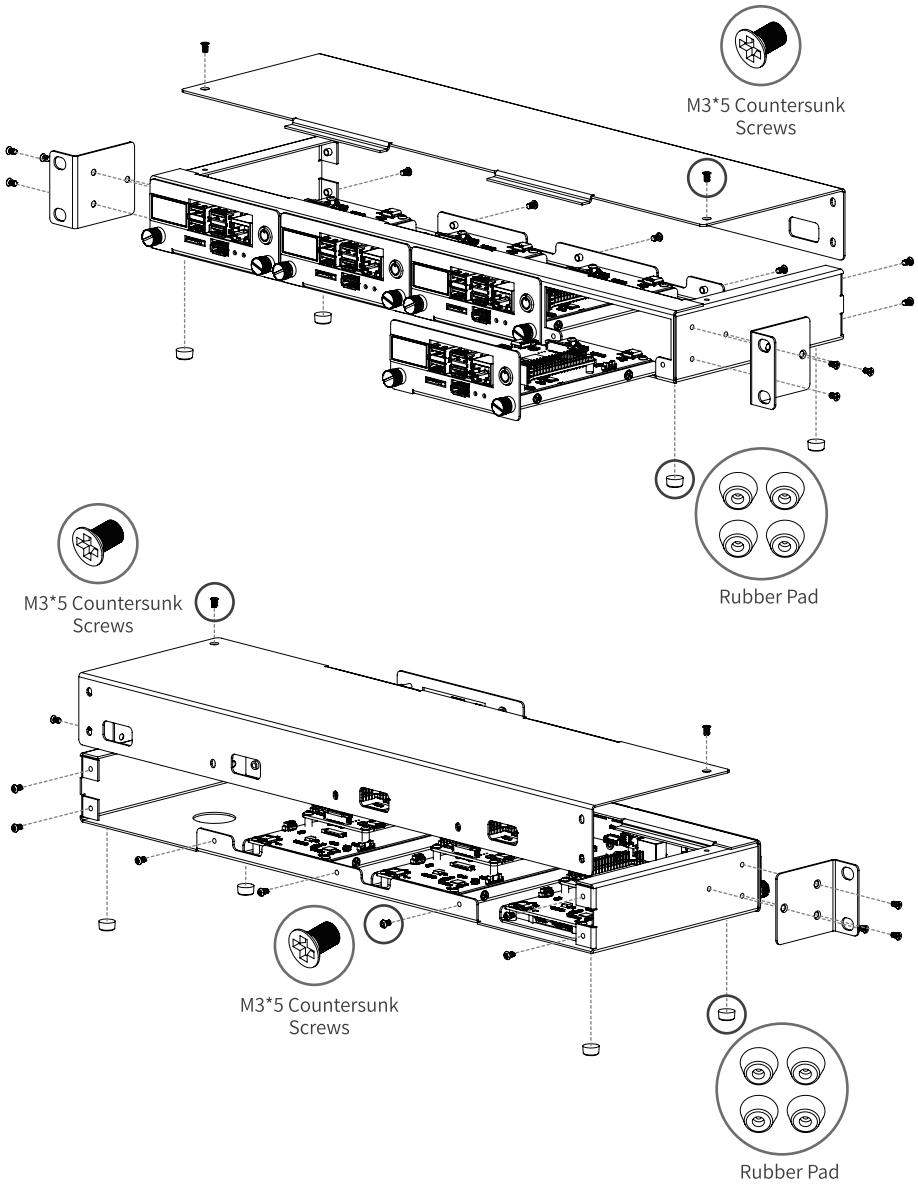
Save and exit, then reboot: `sudo reboot`

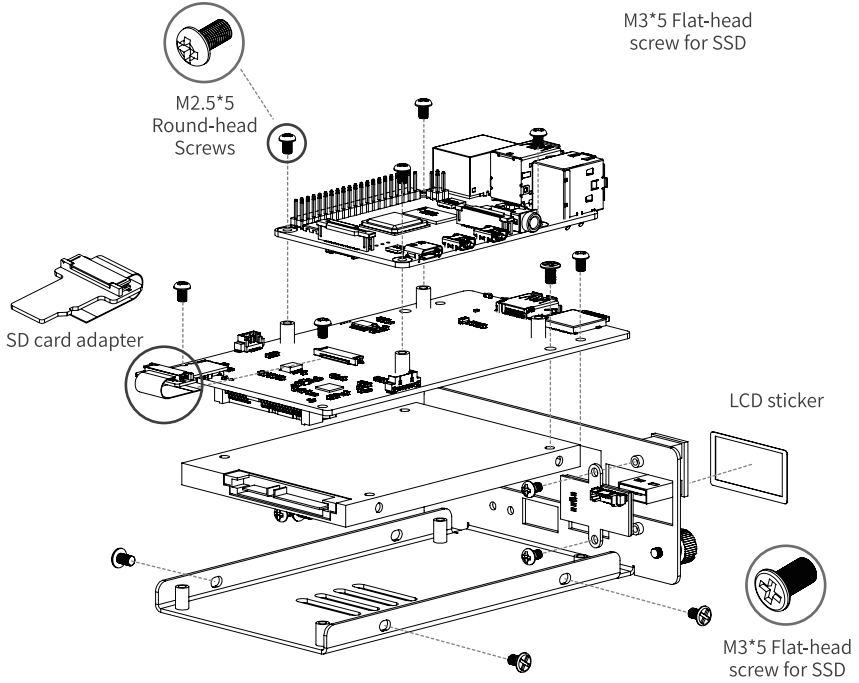
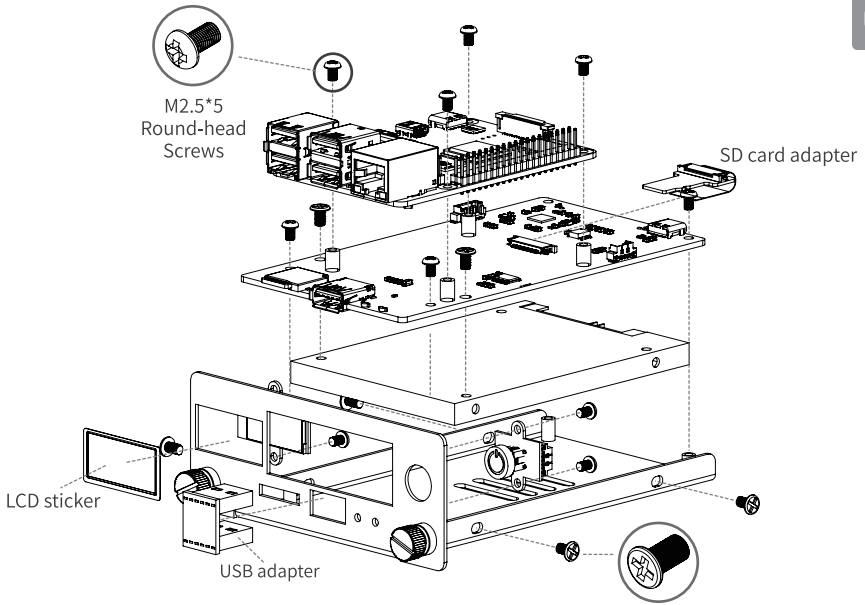
5. Enjoy

Now your OLED display is configured to display the IP/CPU/RAM/DISK/TEMP, while enjoying the safe shutdown and power on with just a press of the on/off button.

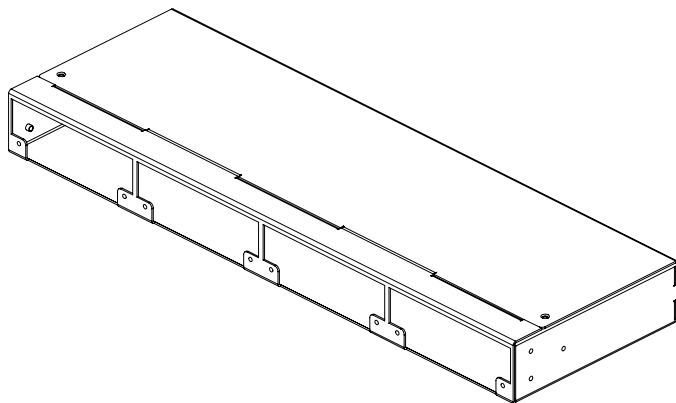
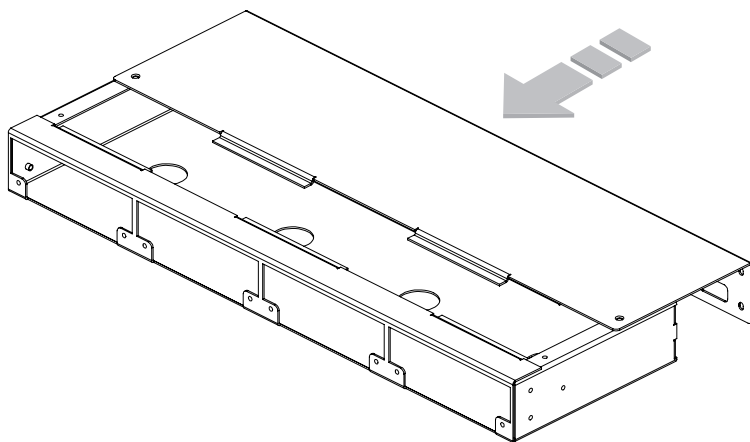


02

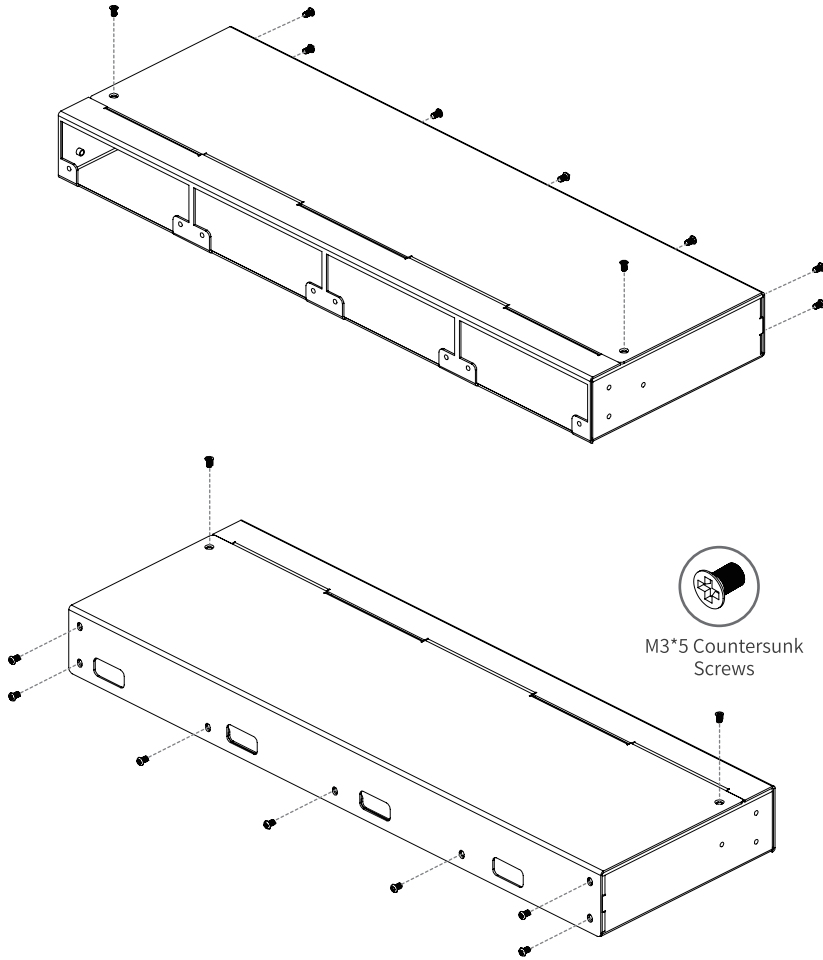




04

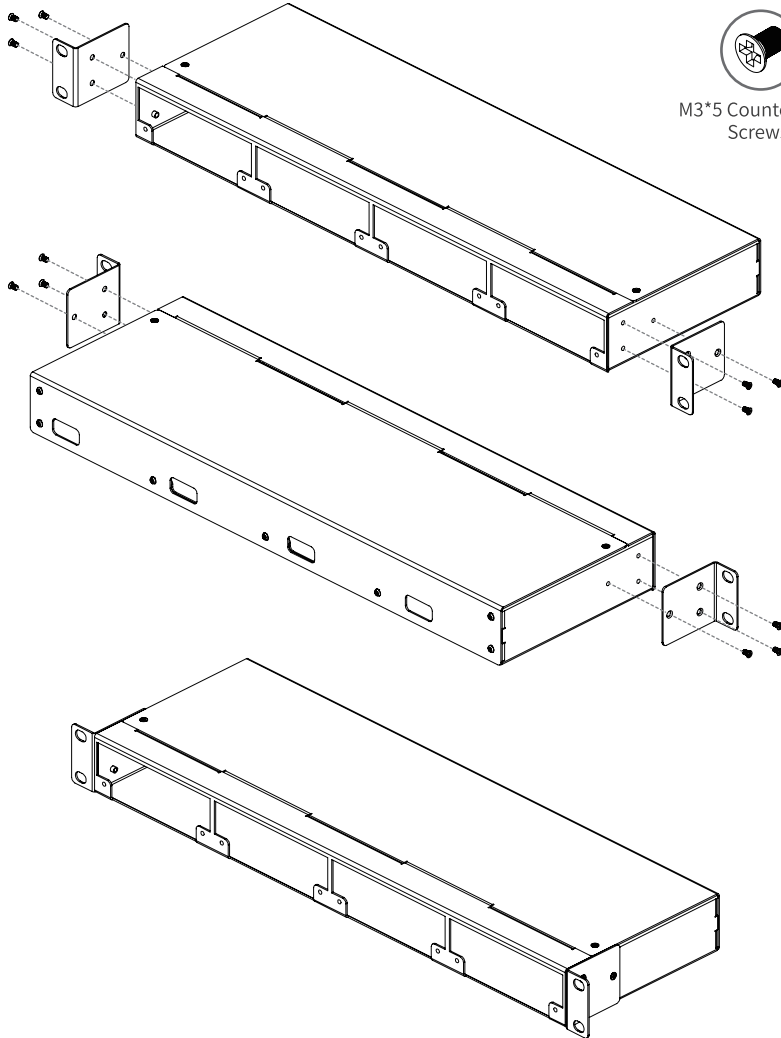


Attach the top panel to the bottom panel



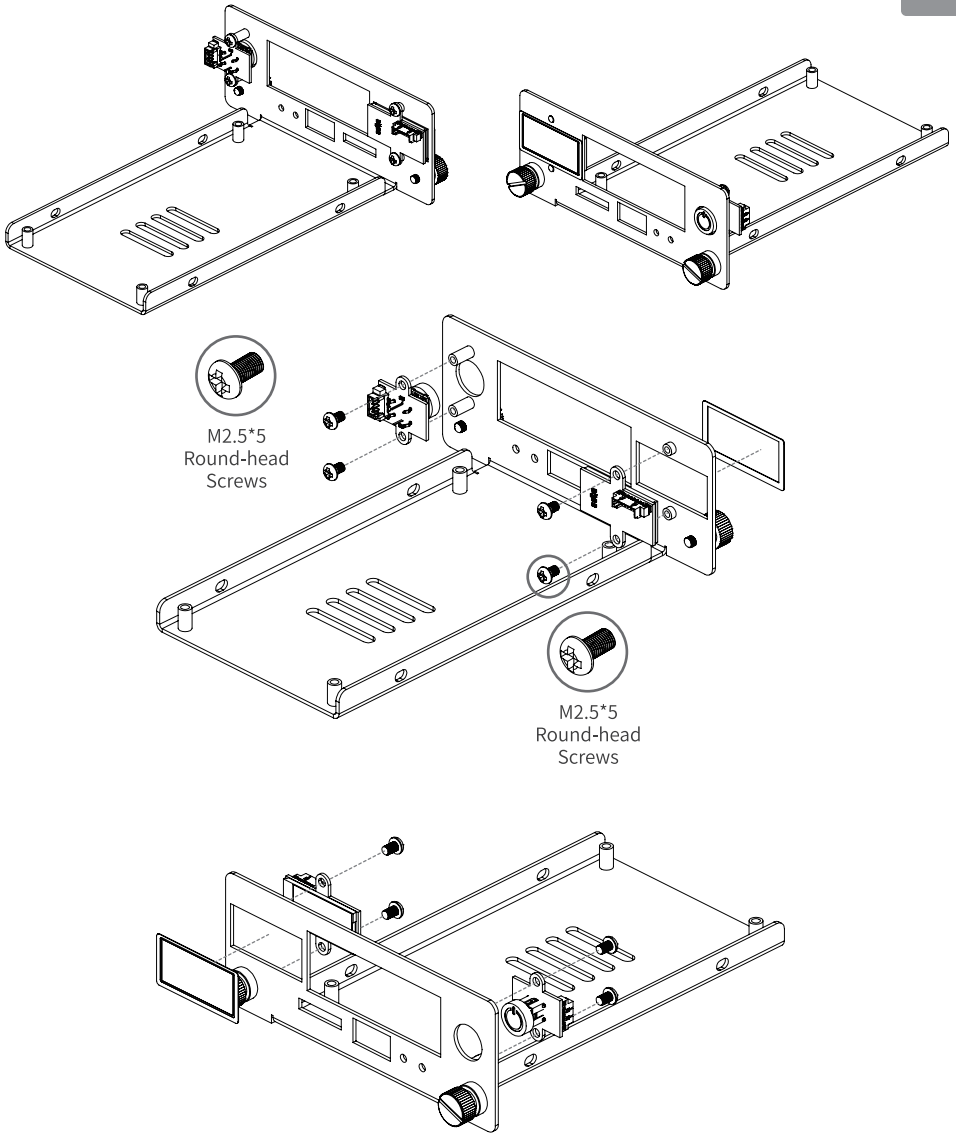
Fix the metal housing with M3*5 screws

06



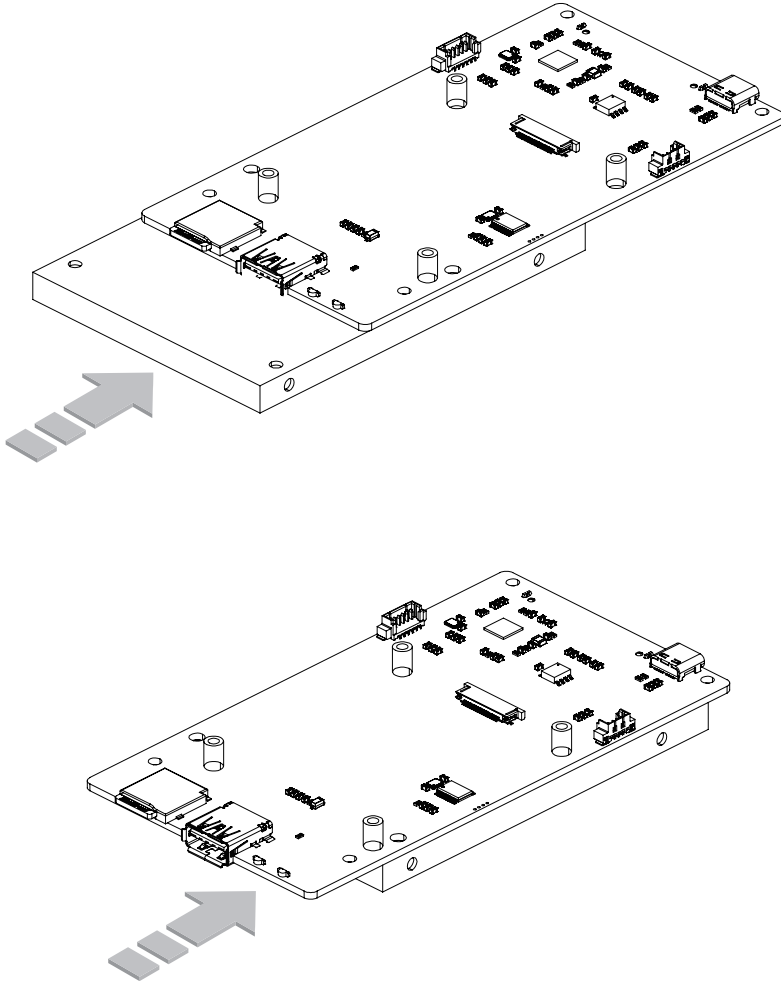
M3*5 Countersunk
Screws

Use M3*5 countersunk screws to fix the side bracket to the housing.

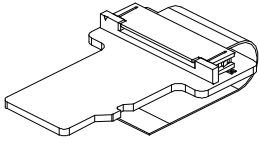


Fix the LCD display and power button with M2.5*5 round-head screws, then attach the stickers.

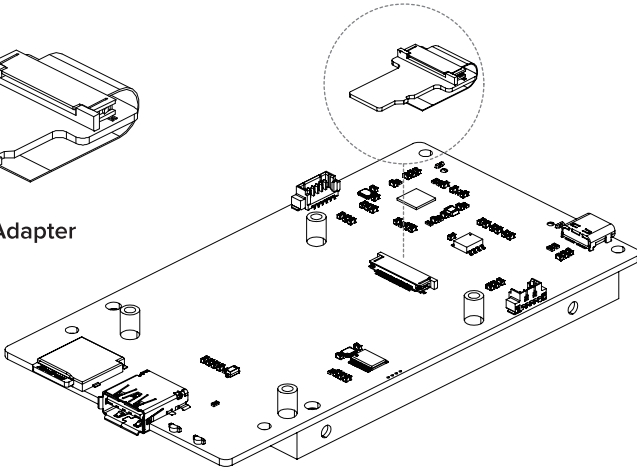
08



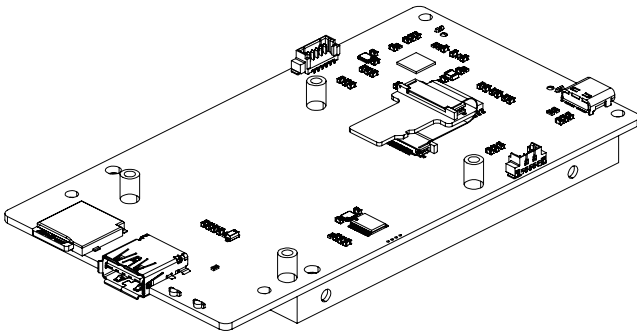
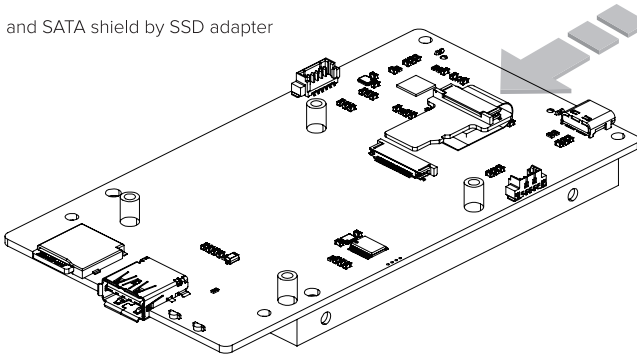
Attach the 2.5" SSD to the SATA shield.



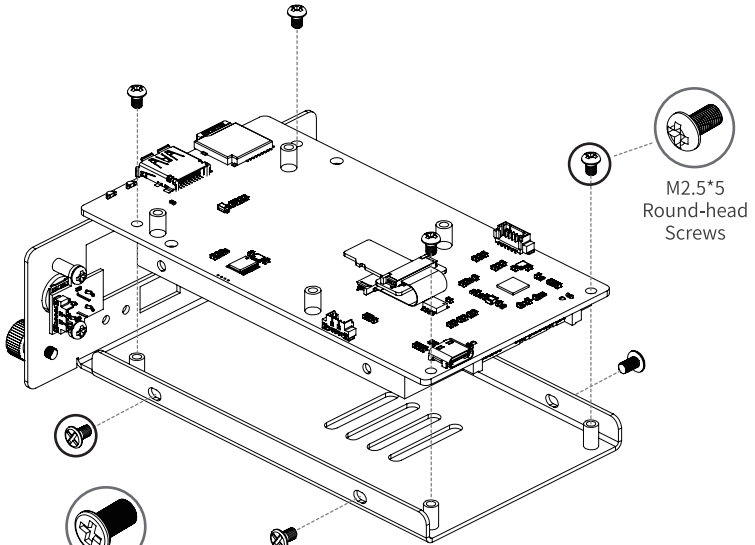
SD Card Adapter



Connect Pi and SATA shield by SSD adapter



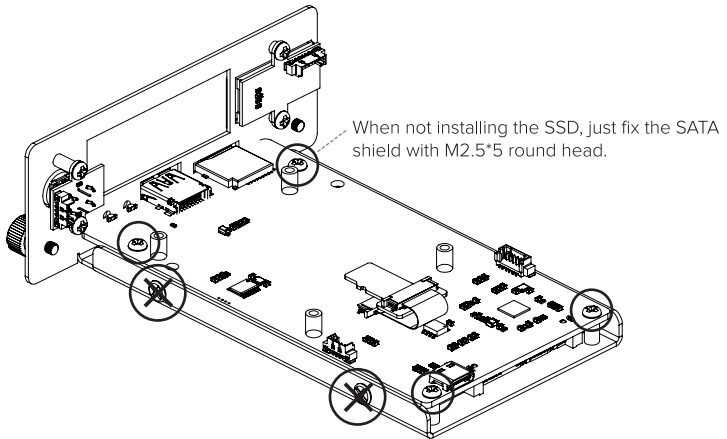
10



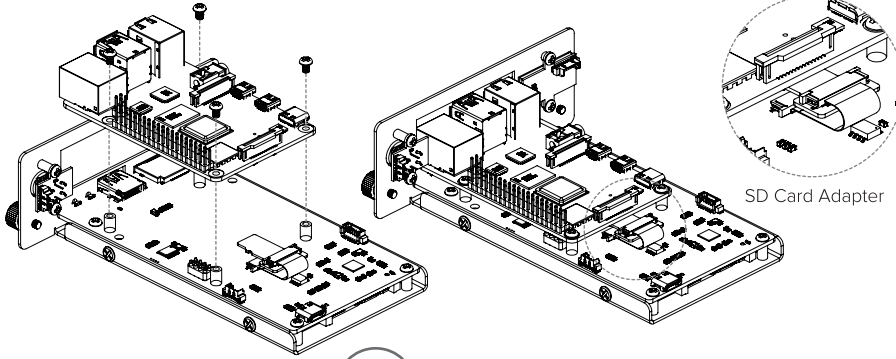
M2.5*5
Round-head
Screws

M3*5 Flat-head
screw for SSD

Slide the installed SATA shield into the bracket.

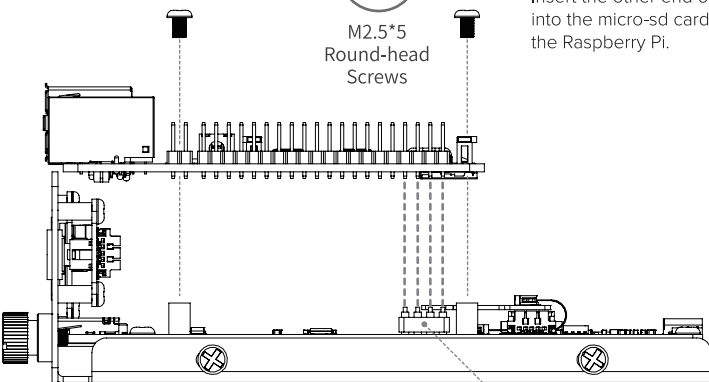


When not installing the SSD, just fix the SATA
shield with M2.5*5 round head.

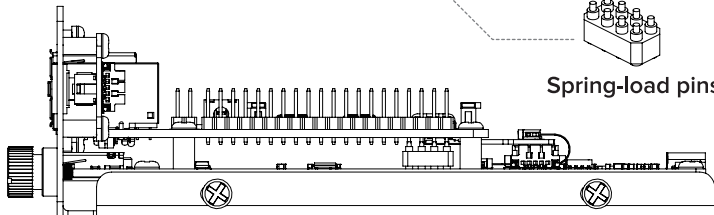


M2.5*5
Round-head
Screws

Insert the other end of the sd card adapter into the micro-sd card slot on the back of the Raspberry Pi.



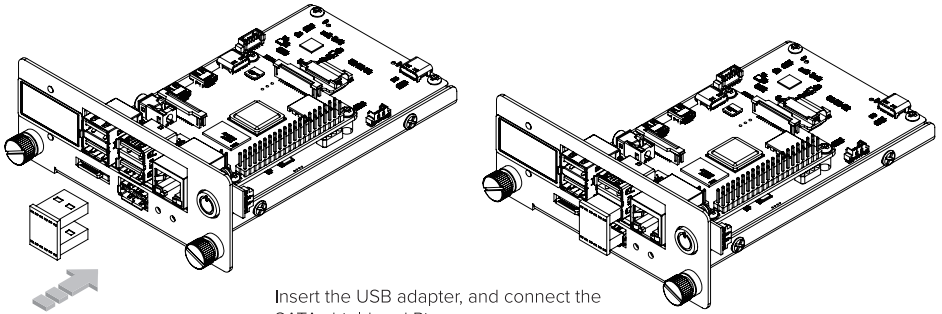
Spring-load pins



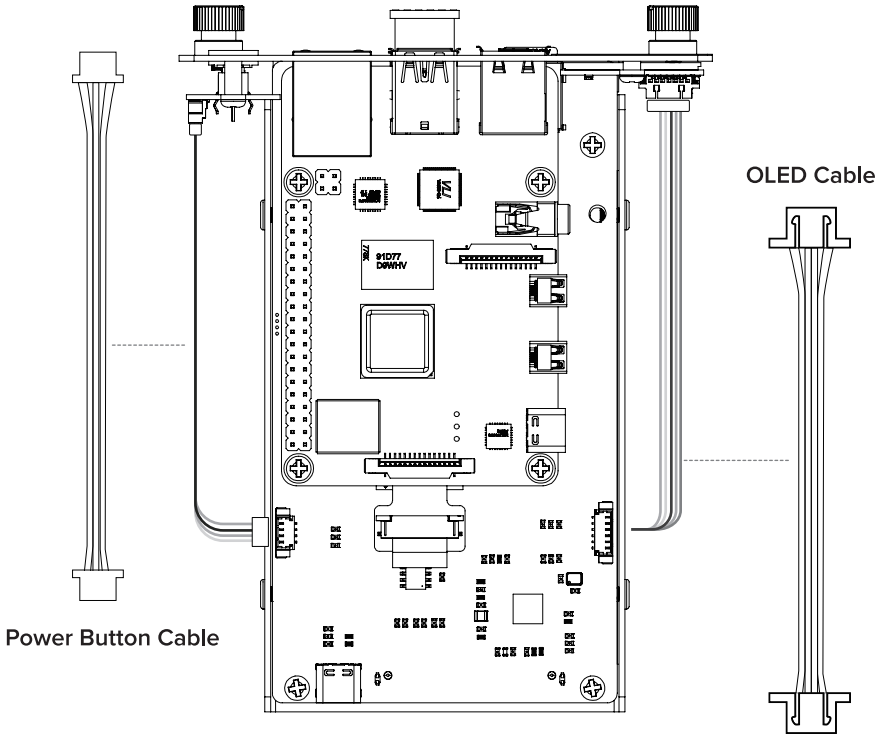
NOTE:

Please pay attention to the Raspberry Pi GPIO1-8 tightly against the yellow spring pin on the SATA shield, otherwise, it may cause no power supply.

12

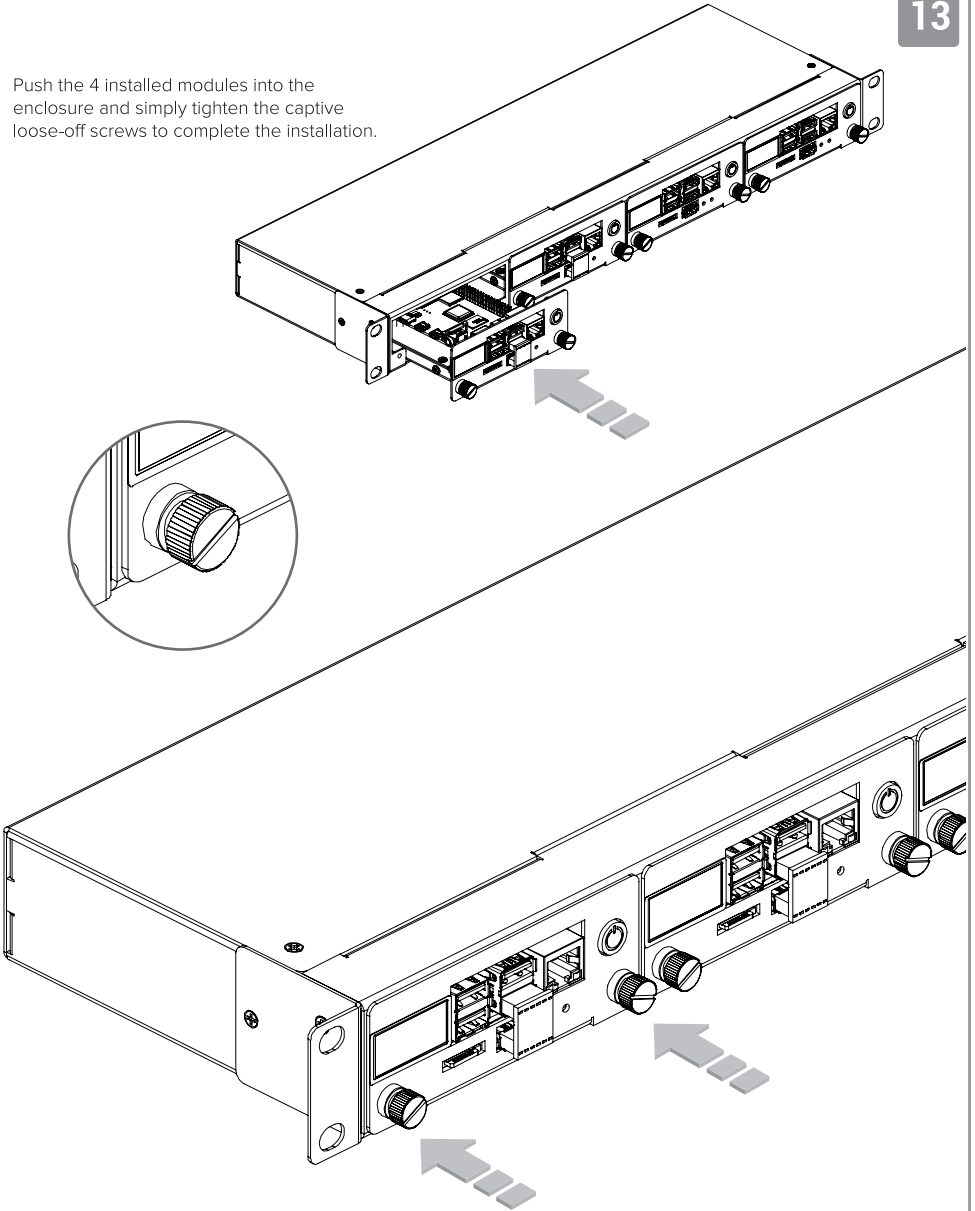


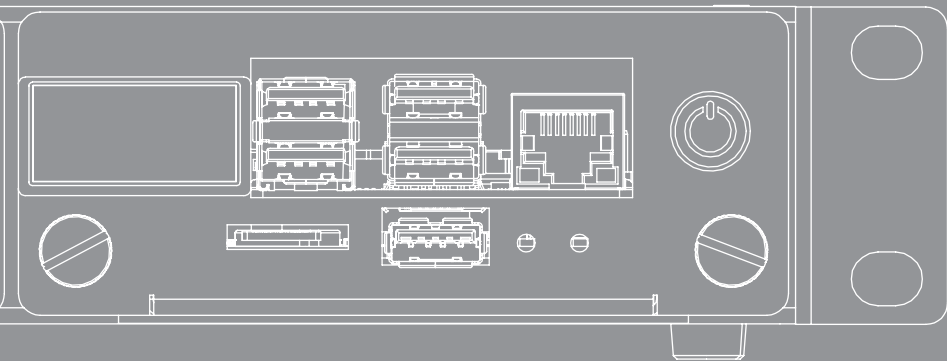
Insert the USB adapter, and connect the SATA shield and Pi.



13

Push the 4 installed modules into the enclosure and simply tighten the captive loose-off screws to complete the installation.





CONTACT US

If any problem, feel free to contact us.

Website: www.uctronics.com

Email: support@uctronics.com

