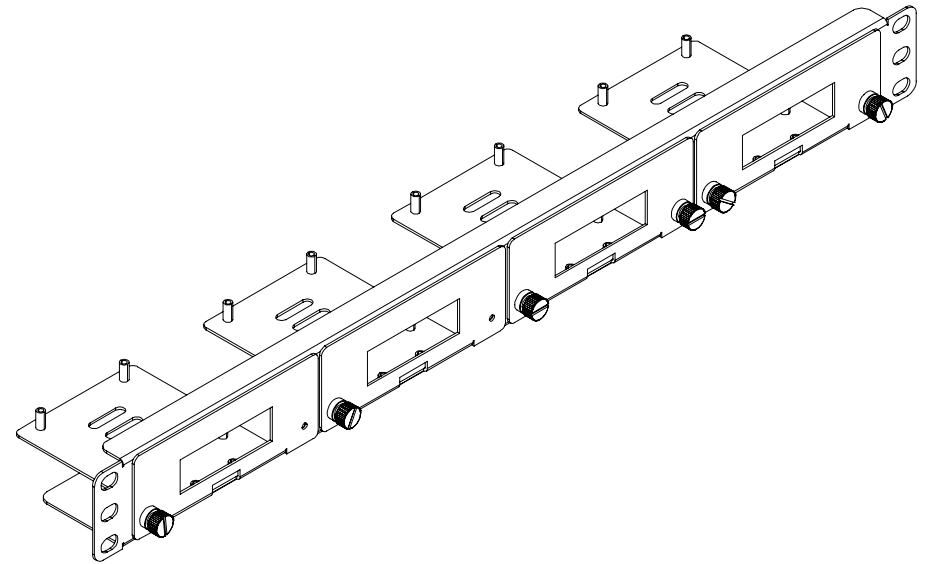
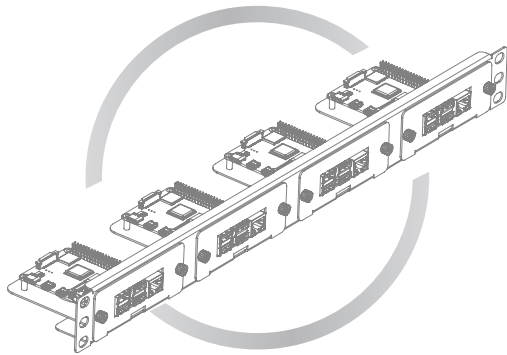


# UCTRONICS

## ASSEMBLY GUIDE

SKU: U6195



### CONTACT US

If any problem, feel free to contact us.

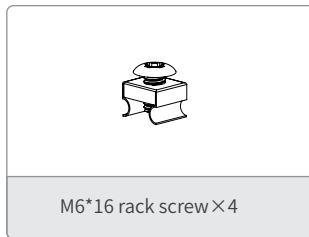
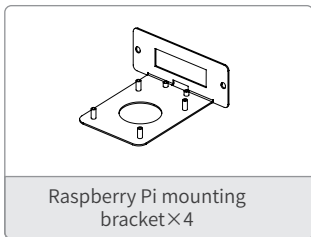
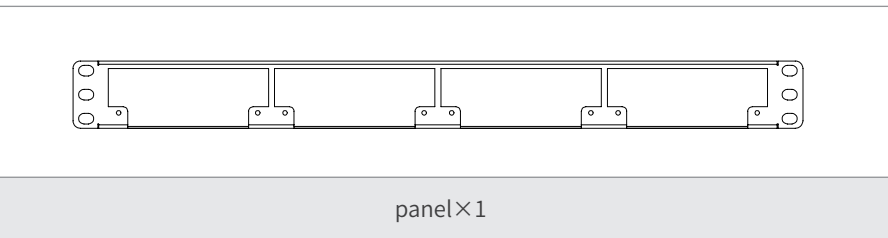
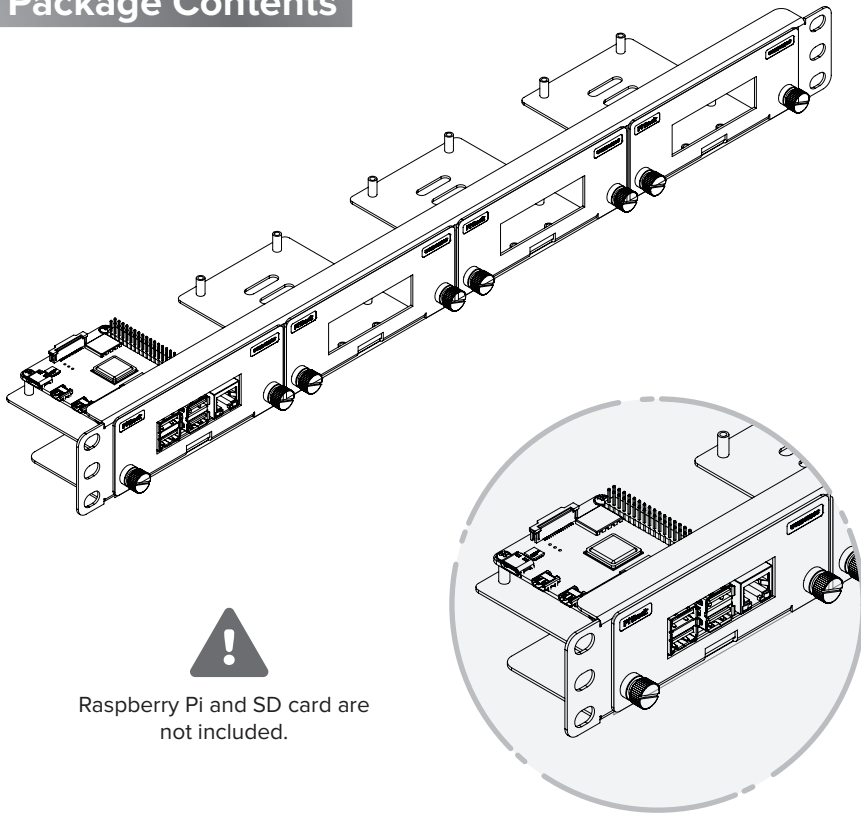
Website: [www.uctronics.com](http://www.uctronics.com)

Email: [support@uctronics.com](mailto:support@uctronics.com)

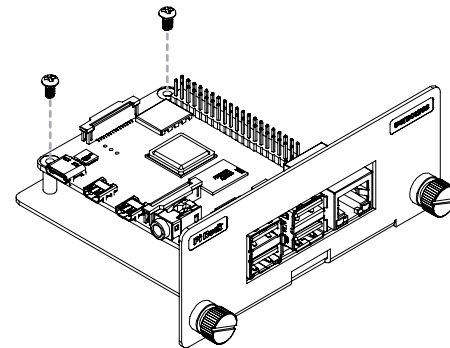
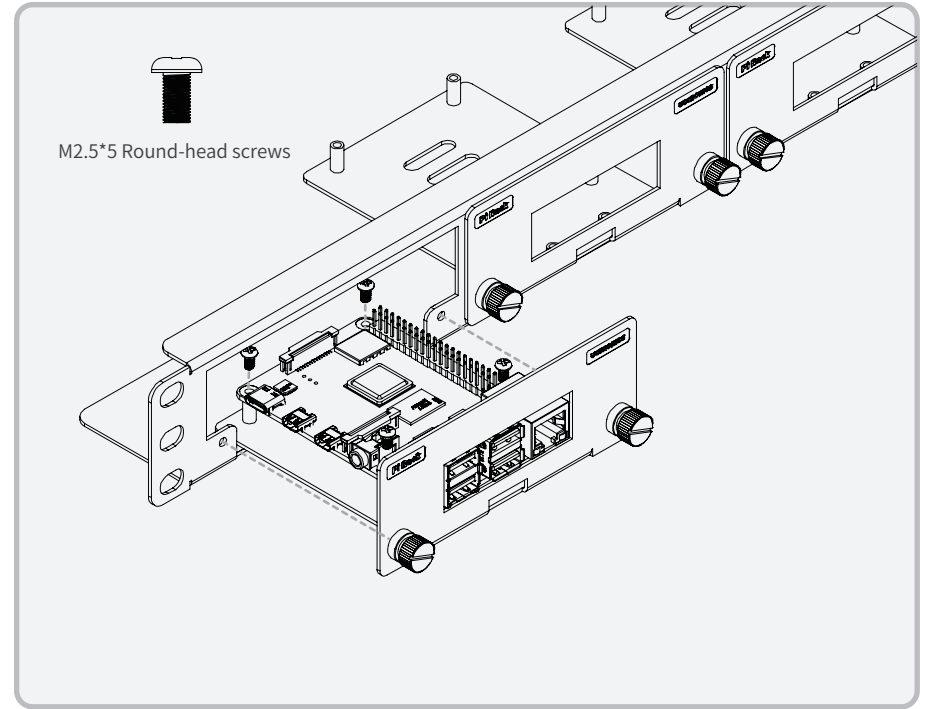


[www.uctronics.com](http://www.uctronics.com)

## Package Contents



## Assembly Steps



2. Insert the raspberry pi mounting brackets into the rack, and fix it with M4 thumbscrews.

