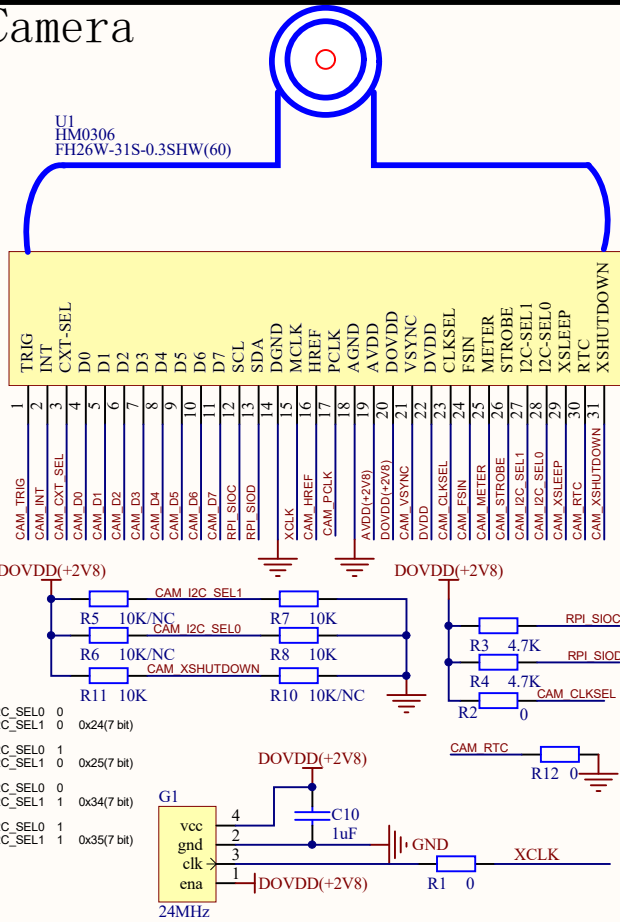
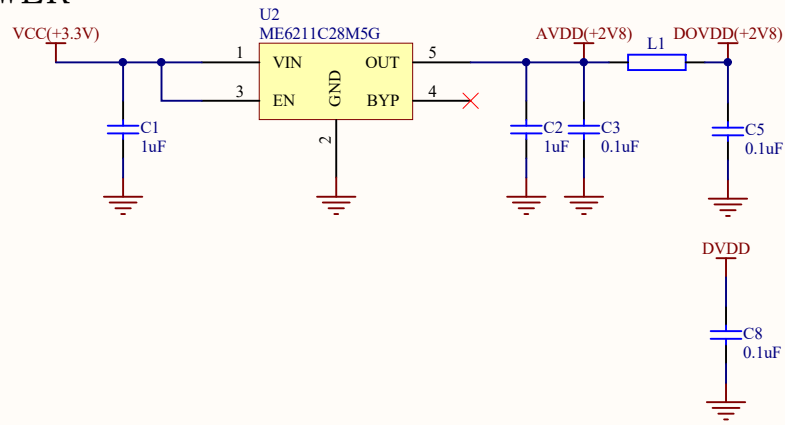


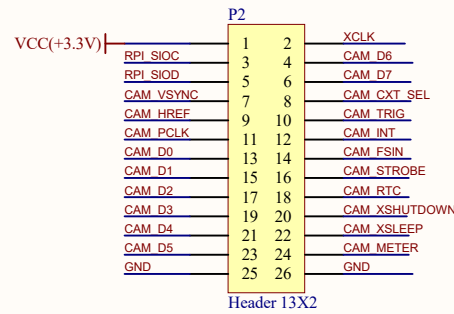
Camera



POWER



Connector



| | | |
|-----------------------------------|--|------------------------|
| Title | | |
| Arducam Pico-Camera-HM0360 | | |
| Size | Number | Revision |
| A4 | support@arducam.com | Rev.A |
| Date: | 2021-10-21 | Sheet 1 of 1 |
| File: | C:\Users\...\UC-806.SchDoc | Drawn By: Arducam Team |