

Quick Start

SPD1168X Programmable Linear DC Power Supply

QS0501X-EO1A

2017 SIGLENT TECHNOLOGIES CO., LTD

Copyright and Declaration

Copyright

SIGLENT TECHNOLOGIES CO., LTD. All Right Reserved.

Trademark Information

SIGLENT is a registered trademark of SIGLENT TECHNOLOGIES.

Declaration

- **SIGLENT** products are protected by patent law in and outside of the Peoples Republic of China
- **SIGLENT** reserved the right to modify or change the specifications and price of the product
- Information in this publication replace all previous corresponding material
- Any copying, extracting or translation of the content of this manual is not allowed without permission from **SIGLENT**.

General Safety Summary

Please review the following safety precautions carefully to avoid personal injury or damage to this product or any product connected to it. To prevent potential danger, please use the instrument as specified.

Use the proper power cord

Only the power cord designed for the instrument and authorized by the local country should be used.

Power supply

AC Input Voltages: 100/120/220/230V $\pm 10\%$, 50/60Hz

Use the proper fuse

The fuse type: 100/120V: T6.3A/250V
220/230V :T3.15A/250V

Make sure to use the correct type of fuse before turning on the instrument.

Find the cause of the fuse failure before replacing the fuse and connecting the power cord.

Ground the instrument

The instrument is grounded through the protective Earth conductor of the power cord. To avoid electric shock, the grounding conductor must be connected to the Earth ground. Make sure that the instrument is properly grounded before any activating any inputs or outputs.

Examine all the terminal ratings

To avoid fire or electric shock, please examine all ratings and symbols on the instrument. Read this guide carefully to know more details about the ratings before connection.

Keep proper ventilation

Inadequate ventilation may cause an increase of temperature within the instrument, which can lead to further damage. Please keep proper ventilation and check the fan and air-vents regularly when using the instrument.

Operate condition

Location: indoor, no strong light, almost no interfering pollution

Relative humidity: <80%

Altitude: <2000m

Temperature: 0°C to 40°C

Electrostatic Prevention

Operate in an electrostatic discharge protective area environment to avoid damages induced by static discharges. Always ground both the internal and external conductors of the cable to release static before connecting.

Do not operate in an explosive atmosphere

To avoid personal injury or damage to instrument, please do not operate in an explosive atmosphere.

Keep surface of the product clean and dry

Avoid dust and moisture in the air as they can influence the performance of the instrument. Please keep surface of the product clean and dry.

Safety Terms and Symbols

Terms may appear on the product:

DANGER: Indicates direct injury or hazard that may happen.

WARNING: Indicates potential injury or hazard that may happen.

CAUTION: Indicates potential damage to the instrument or other property that may happen.

Symbols may appear on the product:



**Hazardous
power**



**Protective
Earth
Terminal**



Warning



**Earth
Ground**



**Power
switch**

SPD1168X Brief Introduction

SPD1168X Programmable DC Power Supply has a 2.8 inch TFT-LCD screen, programmable output, and real time measurement graphing. It has maximum output values of 16V/8A, and remote sense. . Output short circuit and overload protection, can be used in different types of production and research.



Figure 1: Side view

Main features:

- Single high-precision programmable output: 16V/8A, total power is 128W
- Compact, easy to use, powerful, ideal for bench power supply
- Stable, Reliable and Low Noise: $\leq 350\mu\text{Vrms}/3\text{mVpp}$

- Fast Transient Response Time: $<50\mu\text{s}$
- Minimum resolution of 1mV, 1mA with 5-bit voltage and 4-bit current display.
- Timer function sequences output values
- High resolution 2.8 inch TFT LCD(240*320 pixels)
- There are two output modes: two-wire output and remote sense compensation function (maximum compensation up to 1V)
- Four kinds of input/line voltage values includes 100V, 110V, 220V and 230V to satisfy different requirements
- Intelligent temperature controlled fan, effectively reduces noise
- Clear graphical interface, with waveform display
- 5 internal system parameters save / recall, support for data storage space expansion
- Provide EasyPower PC software, real-time control via USB, LAN, support SCPI command set and LabView driver package to meet the remote control and communication requirements

Content

COPYRIGHT AND DECLARATION I

GENERAL SAFETY SUMMARY II

SPD1168X BRIEF INTRODUCTION V

QUICK START 1

GENERAL INSPECTION 1

THE FRONT PANEL..... 2

THE REAR PANEL 5

CONNECT POWER 6

USER INTERFACE 8

OUTPUT INSPECTION..... 9

FUSE REPLACEMENT 9

TROUBLESHOOTING 11

CONTACT SIGLENT 12

Quick Start

General Inspection

1. Inspect the shipping container

Keep the damaged shipping container or cushioning material until the contents of the shipment have been completely checked and the instrument has passed both electrical and mechanical tests. The consigner or carrier is responsible for damages to the instrument resulting from shipment. **SIGLENT** will not provide free maintenance or replacement for shipping damages.

2. Inspect the instrument

If there is damage, defects, or failures in electrical and mechanical tests of the product, please contact your nearest **SIGLENT** sales representative.

3. Check the accessories

Please check the accessories according to the packing list. If the accessories are incomplete or damaged, please contact your **SIGLENT** sales representative.

The Front Panel



Figure 2: The front panel of the SPD1168X

1. LCD

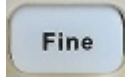
2.8 inch TFT display. It is used to display system parameter settings, system output state, menu options, prompt messages, etc.

2. Knob

When setting parameters, rotate the knob to increase or decrease the value of the digit at the cursor. When browsing

the setting object, rotate the knob to quickly move the cursor.

3. Function button and power key



When setting parameters, press the Fine button to move the cursor to select the position of digit.



The right and left direction buttons move the cursor to select the setting parameter.



Press the button for a short time to enter the system message interface. Press the the button longer to operate the lock function.



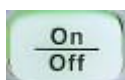
Press the button for a short time to enter the timer interface. Press the button longer to enter the waveform display.



Press the button a short time to configure the network connection information. Press the button longer to enter the storage system.



Press the button to enable/disable the remote sense function.



Press the button to enable/disable the channel output.

4. Output Terminal

Physical output connections to the external circuit.

5. Ground Terminal

This terminal is connected to the instrument chassis and ground wire and is in grounded state.

6. Sense terminal

Used to sense the actual voltage at the load. This allows the source to compensate the voltage drop caused by the leads between the power supply and the load and increases the accuracy of the voltage delivered to the load.

7. Power key

Turn on or off the instrument.

The Rear Panel







Figure 3: The rear panel of the SPD1168X

1. Warning message
2. AC input voltage description
3. AC power socket
4. Fuse

5. AC line power selection switch**6. LAN interface****7. USB device****8. Fan****Connect power**

The power supply supports a variety of AC line power input values. For each line voltage, the rear panel voltage selector settings are different, as shown in table 1 below.

Table 1: AC input line power specifications

AC power input	Voltage selector configure
100VAC \pm 10%, 50~60Hz	
120VAC \pm 10%, 50~60Hz	
220VAC \pm 10%, 50~60Hz	
230VAC \pm 10%, 50~60Hz	

Please connect the power carefully follow the steps below:

1. Check the input power

Make sure that the AC line power to be connect to the instrument meets the requirements in Table 1.

2. Check the voltage selector at the rear panel

Make sure that the voltage selector setting at the rear panel of the instrument matches the actual input voltage.

3. Check the fuse

When the instrument leaves factory, the specified fuse is installed. Please check whether the fuse matches the actual input voltage according to the "Input Power Requirements" at the rear panel of the instrument.

4. Connect the power

Connect the instrument to AC power supply using the power cord provided in the accessories. Then turn on the power.



Before switching the input power supply voltage, please disconnect the power supply before setting the voltage selector to the appropriate gear.



To avoid electric shock, make sure that the instrument is correctly grounded.

User interface

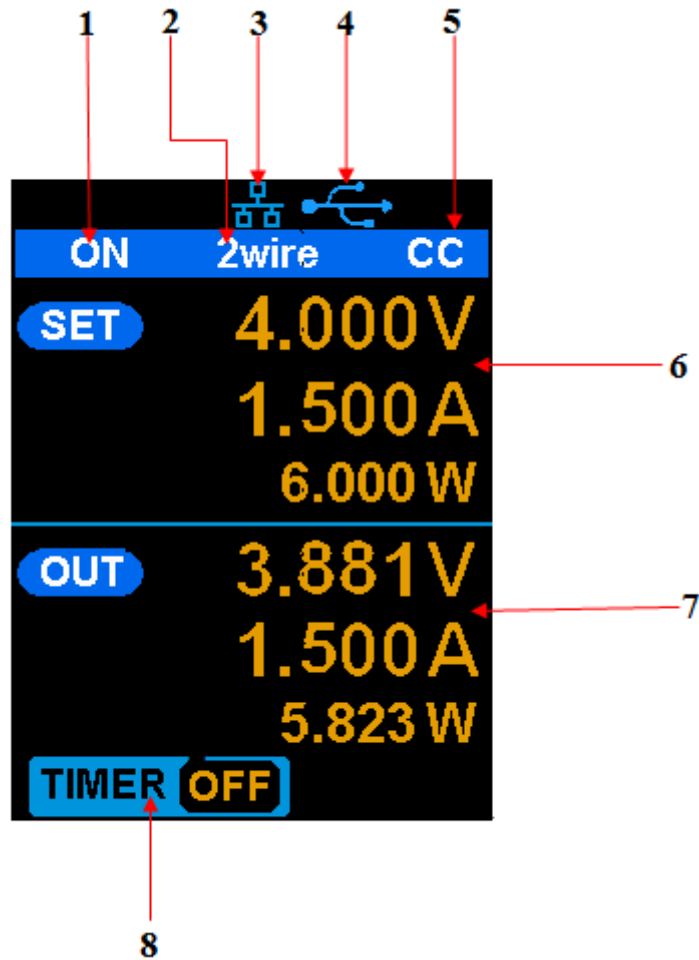


Figure 4: The user interface

1. Channel output state
2. Remote sense mode
3. LAN connection icon
4. USB connection icon
5. Output mode
6. Output programmed values

7. Measured output values

8. Timer state

Output Inspection

1. Check the output voltage

- (1) Turn on the power and make sure the channel current setting is not zero when the instrument has no-load.
- (2) Press **on/off** button, the supply should be working in constant voltage (CV) mode. You can check the voltage range by adjusting the voltage setpoint from the minimum (0V) to the maximum value (16V).

2. Check the output current

- (1) Turn on the power and make sure the voltage setting is not zero.
- (2) Connect the output terminals (short) with an insulated wire that can handle 10 A or more (18 AWG single core, for example).
- (3) Activate the output by pressing the on/off button. The low impedance (shorted) output will cause the instrument to enter current control (CC) mode. You can check the current range by adjusting the current setpoint from the minimum (0A) to the maximum value (8A).

Fuse Replacement

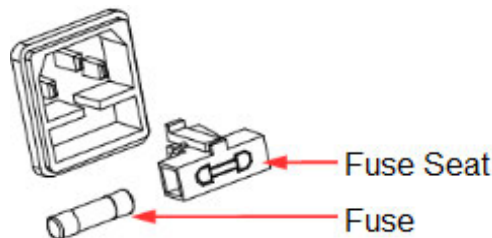
The specifications of the fuse are relative to the actual input line voltage, shown in the table below. You also can refer to the rear panel “input power requirement”.

Input voltage	Fuse specification
---------------	--------------------

100/120VAC	T6.3A
220/230VAC	T3.15A

To replace the fuse, please follow the steps below:

1. Turn off the instrument and remove the power cord.
2. Insert a small straight screwdriver into the slot at the power socket and gently pry out the fuse seat.



3. Adjust the power voltage selector manually to select the correct voltage scale.
4. Take out the fuse and replace it with the specified fuse (for the corresponding relations between the input voltage and fuse specification, refer to the “input power requirement” at the rear panel).
5. Re-insert the fuse holder into the power socket (please pay attention to the direction).

 **WARNING**

To avoid personal injuries, unplug the power supply before replacing the fuse. To avoid electric shock or fire, select the proper power supply specification and replace only with the proper fuse.

Troubleshooting

Here are some common failures and their solutions. If the problem persists after following the listed steps, please contact **SIGLENT**.

1. The instrument cannot start up.

- (1) Check whether the power is correctly connected.
- (2) Check whether the power switch at the front panel is really on.
- (3) Remove the power cord and check whether the voltage selector is at the proper scale, whether the specification of the fuse is correct and whether the fuse is intact. If the fuse needs to be changed, refer to “**To Replace the Fuse**”.
- (4) If the problem remains, please contact **SIGLENT**.

2. The constant voltage output is abnormal.

- (1) Check whether the maximum output power of the scale currently selected fulfills the load requirement. If yes, go to the next step.
- (2) Check the cable connecting the load and power supply for short-circuits.
- (3) Check whether the load is normal.
- (4) Check whether the current setting value of this scale is proper. If it is too low, increase it.
- (5) If the problem remains, please contact **SIGLENT**.

3. The constant current output is abnormal.

- (1) Check whether the maximum output power of the scale currently selected fulfills the load requirement. If yes, go to the next step.
- (2) Check whether the cable connecting the load and power

supply is in good condition.

(3) Check whether the load is normal.

(4) Check whether the voltage setting value of this scale is proper. If it is too low, increase it.

(5) If the problem remains, please contact **SIGLENT**.

Contact SIGLENT

America

SIGLENT Technologies America, Inc

6557 Cochran Rd Solon, Ohio 44139

Tel: 440-398-5800

Toll Free: 877-515-5551

Fax: 440-399-1211

info@siglent.com

www.siglentamerica.com

Headquarters

SIGLENT TECHNOLOGIES CO., LTD.

Blog No.4 & No.5, Antongda Industrial Zone, 3rd Liuxian Road, Bao'an District, Shenzhen, 518101, China.

Tel: + 86 755 3661 5186

Fax: + 86 755 3359 1582

sales@siglent.com

www.siglent.com/ens

Europe

SIGLENT TECHNOLOGIES EUROPE GmbH

Liebigstrasse 2-20, Gebaeude 14, 22113 Hamburg Germany

Tel: +49(0)40-819-95946

Fax: +49(0)40-819-95947

info-eu@siglent.com

www.siglenteu.com